

# Rapiscan 620XR

**Rapiscan**<sup>®</sup>  
systems

An OSI Systems Company

## BAGGAGE AND PARCEL INSPECTION

New OS600 Operating System

Dependable Platform

Seamless Network Integration

Value and Performance



*Shown with optional control panel stand*

Rapiscan Systems' new OS600 Operating System provides an intuitive Graphical User Interface with improved image quality. OS600 also offers advanced networking capabilities.

The **Rapiscan 620XR** is the solution for high performance threat detection at the lowest cost of ownership. With an emphasis on ergonomic design features like the adjustable control panel stand, the 620XR addresses screeners' ease-of-use requirements.

The **Rapiscan 620XR's** modular assembly and swing-open easy-access panels provide unmatched reliability and serviceability.

The dual energy **Rapiscan 620XR** provides automatic color coding of materials with different atomic numbers so that screeners can easily identify objects within the parcel.

The **Rapiscan 620XR** has a large tunnel opening of 620mm (24.4 inches) wide by 420mm (16.4 inches) high. The center drive roller design allows for bi-directional operation. In addition, the system is equipped with folding conveyors to permit relocation and access through doorways and elevators. Also, the control panel can lock in a vertical position for secure storage.

## CUSTOMER SUPPORT SERVICES

Our team is dedicated to providing a prompt, effective and personalized response that exceeds your expectations. With spare parts inventory and skilled technicians all over the world, you can be certain Rapiscan Systems will always be prepared with a solution to address your requirements. By measuring response time, parts delivery and support status, our team embraces a customer centric philosophy to ensure continual improvement of our products and services.

## FEATURES & OPTIONS

### Threat Image Projection (TIP):

TIP inserts digital threat images at configurable frequencies into the regular flow of bags. TIP is a reliable method for continually improving the skill level of screeners and is the preferred training method used by regulatory agencies worldwide.

**High Penetration (HP):** This option provides 35mm steel penetration using a 180KV generator.



ONE COMPANY - TOTAL SECURITY

## BAGGAGE AND PARCEL INSPECTION

### PHYSICAL SPECIFICATIONS

Dimensions: Length: 2,570 mm (101 in.) Unit in use  
 Length: 1,480 mm (58.27 in.) Conveyors folded up  
 Height: 1,381 mm (54 in.)  
 Width: 840 mm (33 in.)  
 Tunnel Size: 620 mm (W) x 420 mm (H) (24.4 x 16.4 in.)  
 Conveyor Speed: 0.22 m/sec (44 ft./min)  
 Max Load: 165 Kg (365 lbs)  
 Approx Weight: Net: 680 Kg (1,499 lbs)  
 System Power: 115 VAC +/- 10% / 50Hz or 60Hz / 10 Amps max or  
 230 VAC +/- 10% / 50Hz or 60Hz / 5 Amps max

### X-RAY GENERATOR AND IMAGE PERFORMANCE

Wire Resolution: 38 AWG guaranteed, 40 AWG typical  
 Steel Penetration: 27 mm guaranteed, 29 mm typical  
 Material Separation: Low Z, Medium Z, High Z to 0.5 Z accuracy  
 Generator Cooling: Sealed oil bath with forced air  
 Anode Voltage: 160KV rated, operating at 140KV  
 Tube Current: 0.7 mA  
 Orientation: Vertically Upward

### HIGH PENETRATION OPTION (HP)

Steel Penetration: 35 mm guaranteed  
 Wire Resolution: 38 AWG guaranteed, 40 AWG typical  
 Anode Voltage: 180KV rated, operating at 160KV  
 Tube Current: 1mA typical

### COMPUTER SPECIFICATIONS

Processor Speed: Intel Pentium® Processor currently available  
 Monitor: 17" CRT color, non-flicker  
 Memory: 1 GB RAM minimum  
 Video Memory: 256 MB minimum  
 Hard Disk Drive: 160 GB minimum  
 DVD-ROM Drive: 16X

Access to keyboard port and parallel port is provided by means of a lockable access panel on the outside of the machine.

### OPERATING ENVIRONMENT

Storage Temperature: -20°C to 50°C  
 Operating Temperature: 0°C to 40°C  
 Relative Humidity: 5 to 95% non-condensing

### HEALTH & SAFETY

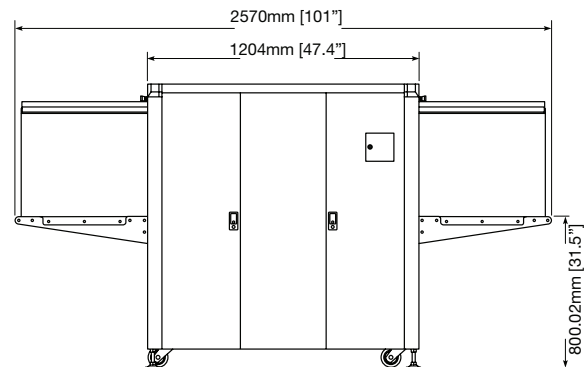
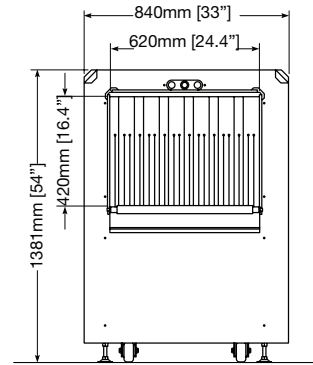
All Rapiscan Systems products comply with applicable international health and safety regulations including USA FDA X-ray systems (Federal Standard 21CFR 1020.40) and Health and Safety at Work Act 1974-section 6, Amended by the Consumer Protection Act 1987. Maximum leakage radiation less than 0.1mR/hr (1µ Sv/hr) in contact with outer panels.

Film Safety: For ISO 1600/33 DIN, guaranteed up to 10 times exposure to radiation.

CE Compliance: Yes  
 FCC & IEC Compliance: Yes

### ISO 9001:2000 Certified

With continual development of our products Rapiscan Systems reserves the right to amend specifications without notice.



STANDARD FEATURES	OPTIONS
Crystal Clear™	Threat Image Projection (TIP)
Multi Energy Imaging (4 color)	Flat Panel LCD Monitor
Variable Edge Enhancement	Adjustable Height Lift and Tilt Stand
High Penetration	Power Conditioner
Variable Gamma	Remote Workstation
Inverse Video	Foot-mat
Variable Density Zoom	UPS (Uninterrupted Power Supply)
Organic/Inorganic Stripping	High Penetration X-ray Generator
Black and White Viewing	
Variable Color Stripping	
Zoom (to 64x)	
View Previous Bag	
Programmable Function Keys	
Manual Image Archiving	
Automatic Image Archiving	
Baggage Counter	
Search Indicator	
Date/Time Display	

9150102-1

[www.rapiscansystems.com](http://www.rapiscansystems.com)

#### UNITED STATES OF AMERICA

3232 W. El Segundo Blvd.  
 Hawthorne, California 90250  
 UNITED STATES OF AMERICA  
 Tel: +1 310-978-1457  
 Fax: +1 310-349-2491

#### E-MAIL

sales@rapiscansystems.com

#### UNITED KINGDOM

X-Ray House  
 Bonehurst Road  
 Salfords  
 Surrey RH1 5GG  
 UNITED KINGDOM  
 Tel: +44 (0) 870-7774301  
 Fax: +44 (0) 870-7774302

#### ASIA PACIFIC

240 Macpherson Road  
 #06-04 Pines Industrial Building  
 Singapore 348574  
 SINGAPORE  
 Tel: +65-6743-9892  
 Fax: +65-6743-9885 / 6743-9915

distributor stamp