

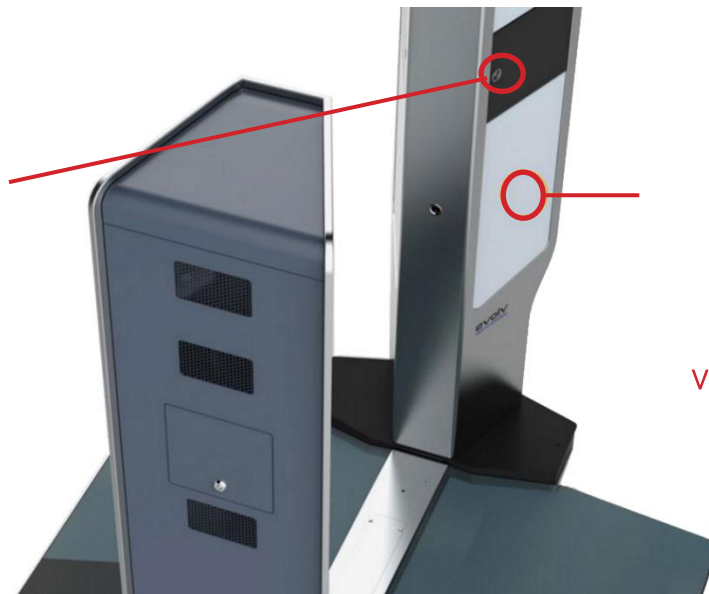
Evolv Edge™



MASS CASUALTY THREAT DETECTION

- ❖ Evolv's Edge™ is the first system purpose-built to screen people for mass casualty threats while they pass through at walking speed. It is designed for a wide range of deployment scenarios with intuitive directions for the visitor and automated detection results for the security officer.
- ❖ Edge is ideal for high throughput environments with very limited divestment of personal items. The configuration is *flexible and relocatable, allowing for deployments in many different locations and access points using different operational approaches.*

BUILT-IN FACIAL RECOGNITION AND IMAGE ACQUISITION



❖ Electro Optical Camera

Positive ID of Individual who Alarmed

Facial Recognition, Known Wolf Detection

❖ Active Millimeter Wave

Concealed Threat detection

26-30 GHz, solid state

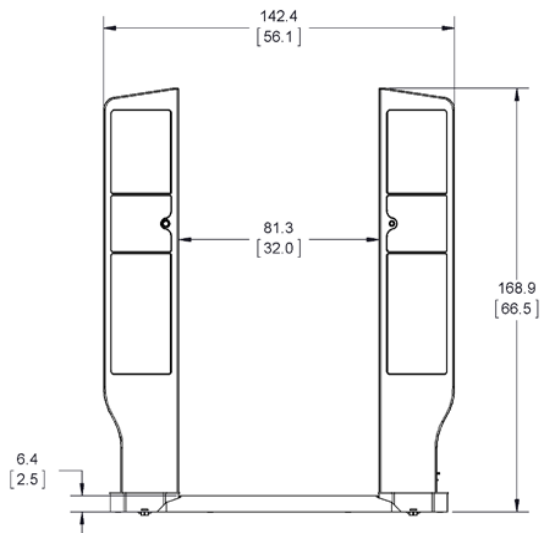
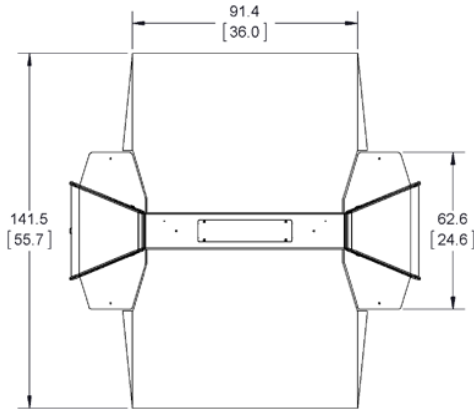
Video frame rates for walk through screening

❖ H Field Sensors

Concealed Threat detection

Adjustable Settings

Evolv Edge™



Main Features

- Safe, Easy to Use
- Walk-through conops, front and back scan, 600- 800 people per hour
- Delivers a color-coded indication of metal (firearm) or non-metal (explosive) threats
- Pop-out, pneumatic wheels for rapid relocation, easy disassembly for vehicle transport
- Safe operation including non-ionizing millimeter wave with no moving parts
- Open, Connected Architecture
- Facial Recognition, interface with Police crime base.

Specifications

Dimensions:	Depth:	141.5 cm (55.7 in)
	Width:	142.4 cm (56.1 in)
	Height:	168.9 cm (66.5 in)
Opening:	Weight:	113.4 kg (250.0 lbs)
	Width:	81.3 cm (32.0 in)
Power:	Voltage:	100 - 240 VAC +/- 10%
	Phase:	50/60 Hz
	Circuit:	15 Amps (dedicated)
Consumption:	Typical:	500 watts
Data Connections:	USB 3.0	
	Ethernet (RJ45)	
Operating Temperature:	0 to 40 degrees C	
Storage Temperature	-18 to 50 degrees C	
Relative Humidity:	0 to 95% (non-condensing) User Interface	
Tablet-Based	(10.1 Inch Display, Free-Standing Pedestal or Free-Floating in Ruggedized Case)	

Options:

- Bag Check Table
- Remote Display & Desk
- Retractable Stanchions
- 4-Hour Battery Pack
- Uninterruptible Power Supply (external)
- Visitor Instructional Signage
- Visitor Floor Mats
- Extended Warranty - Service Packages